



Organization System Technology

Radiodifusión

Empresa Certificada



FULLY DIGITAL BASED TV EXITER

from 1W to 25W

and **ANALOGUE** from 1W to 100W

Standard
DVB-T/H
ATSC
ISDB-TB



O.S.T. SL

Via A. Baldovinetti, 85 – 00142 – Roma – Italia
Telf. +39 06 87 46 51 86 – Fax +39 06 50 41 932

E-mail: radiodifusion@ostsrl.com

Pagina web: www.equiposradiodifusion.com



www.equiposradiodifusion.com

FULLY DIGITAL BASED AND ANALOGUE TV EXITER

General

Primary power	230/240/127/110 V c.a. + 20%, -30% 47 to 60 Hz
Operating temperature range	From 0°C to +50°C
Storage temperature range	From -10°C to +70°C

Input parameters

MPEG-2 ASI Data inputs

Impedance	75 Ohm
-----------	--------

Ext. Ref. Frequency

Frequency	10 MHz
-----------	--------

Level	200mV-3Vpp
-------	------------

Impedance	50 Ohm
-----------	--------

Time ref. input

Impedance	50 Ohm
-----------	--------

Frequency	1 PPS
-----------	-------

Level	1 ÷ 5V peak
-------	-------------

Digital linear and non-linear Pre-correction/ Manual or Adaptive (Option)

In Band Group Delay and Amplitude real time correction

Broad Band non-linear Phase and Amplitude real time cubic correction

In manual mode up to 4 Phase and Amplitude curve storable in EPROM memory

Output parameters

I.F. Outputs

Impedance	50 Ohm
Nominal I.F. output level	0 dBm (adjustable in 0.1dB steps from –10dBm to +3dBm)
Nominal I.F. monitor level	-6 dBm
Impedance	50 Ohm
Nominal I.F. frequency	35 ÷ 37 MHz
Tuning resolution	1Hz
Frequency stability (or in accordance with external ref accuracy)	1ppm
Spectrum polarity	inverted or not
MER	> 41dB

Signal processing

Supported modes

IFFT mode	2K, 4K, 8K
-----------	------------

Guard intervals	1/4, 1/8, 1/16, 1/32
-----------------	----------------------

Code rates	1/2, 2/3, 3/4, 5/6, 7/8
------------	-------------------------

Modulation mode	QPSK, 16-QAM, 64-QAM
-----------------	----------------------

Hierarchical mode	alpha 1-2-4 16-QAM, 64-QAM
-------------------	----------------------------

Network mode	SFN and MFN
--------------	-------------

Bandwidth	8MHz, 7MHz, 6MHz and 5MHz
-----------	---------------------------

GPS Receiver option

10MHz Ref. Frequency Output

Level: 1Vpp/50 Ohm

Impedance: 50 Ohm

1 PPS Ref. Output

Level: 1,5 Vpp/50 Ohm

Impedance: 50 Ohm



www.equiposradiodifusion.com

Agile analogue digital TV Exciter.
DVB-T/H or ATSC or ISDB-TB
standard support .
Model OST3100RT



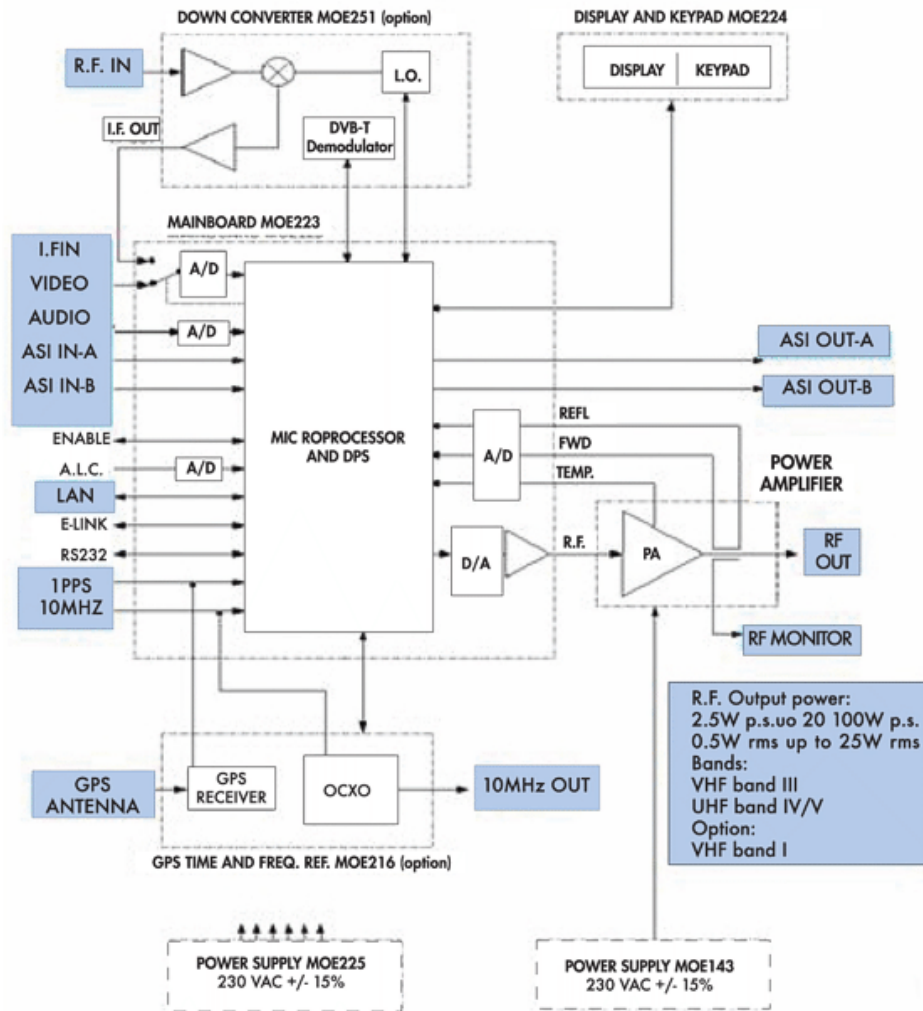
Main Features

- DVB-T / H or ATSC or ISDB-TB standards support
- All bands available; VHF BI/BIII or UHF BIV - V and all standards available
- Capable of MFN and SFN operation
- Excellent MER value: 47dB
- Program Clock Reference restamping
- Selectable Null drop function
- Configurable PID drop facility
- Network Information Table insertion
- High SFN system reliability, due to output fine bit rate adapting
- 2K, 4K or 8K selectable IFFT mode
- 5-6-7-8 MHz selectable channel BW
- Full hierarchical mode
- Manual digital pre-correction with easy adjustment, option automatic digital adaptive pre-correction
- DVB-H signalling on TPS
- DVB-H 2K and 4K in-depth interleavers
- Ethernet SNMP remote diagnostic through the microprocessor
- Standard output power 2 units from 1 to 2,5W 3 units 2,5 to 10W
- PCR re-stamping, NIT insertion and simple Re-multiplexing function built inside the modulator
- High performance equipment able to operate in all DVB-T and DVB-H modes
- SFN System integrated ATSC Alternative to DVB digital mode
- A state of the art equipment that confirms our high technological innovation both in national and international broadcasting markets
- Optional GPS received board to be integrated into the digital modulator and SFN adapter; GPS receiving antenna is available as well



www.equiposradiodifusion.com

Analogue/Digital Transposer Gap Filler, Re-transmitter



MAIN FEATURES

- Automatic ATV - DVT switchover without any hardware replacement
- Suitable for use in single and multi frequency network
- Integrated linear and not linear precorrector
- Echo canceller
- DVB-T / DVB-H receiver
- Wide range of RF output power, VHF band III, UHF bands IV/V
- Remote by SNMP
- Air filter

OPTIONS

- GPS receiver
- MPEG decoder in preparation
- RF output power, VHF band I



www.equiposradiodifusion.com

ANALOGUE TV EXCITER OST3100RT

Main features

All transmission mode supported Sound

Operation mode	Mono or Stereo (L+R)
Input signal level	+8 dBu @ +/- 50 KHz dev. pk
Input impedance	600 Ohm , or > 3K Ohm
Input return loss	> 30 dB

Video

Input signal level	1V p.p.
Input impedance	75 Ohm, unbalanced
Input return loss	> 30 dB
Video clamping	Sink tip or back porch selectable
White clipping set at	95% of modulation depth
Supported analogue standard	B/G, I, D/K, M, N
Output frequency range	BAND VHF I or III, UHF
Output impedance	50 Ohm, unbalanced
Permissible VSWR	< 1.5:1
Standard Output power	2 units: from 1 to 50W 3 units: 100W
Spurious suppression	> 60 dB
Harmonic suppression	> 60 dB
Video S/N unified weighted	> 62 dB
Audio S/N ratio	> 60 dB @ 50 KHz deviation